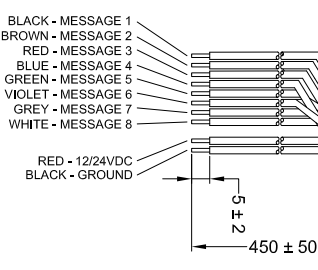
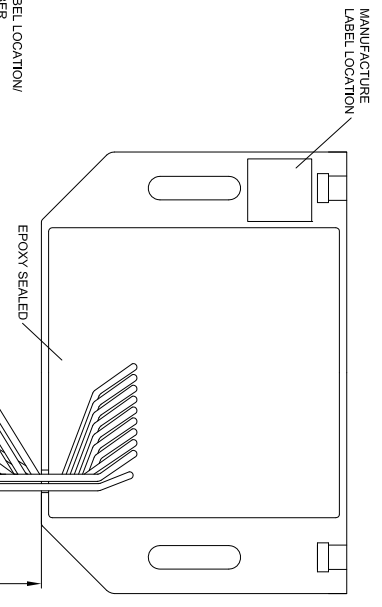
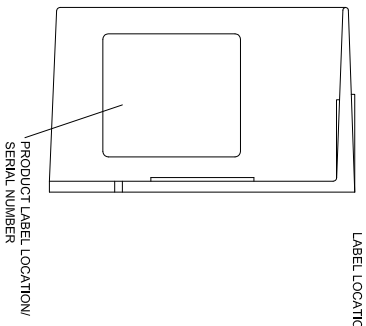
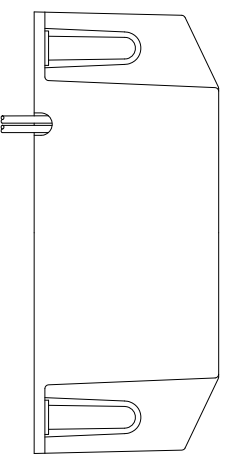
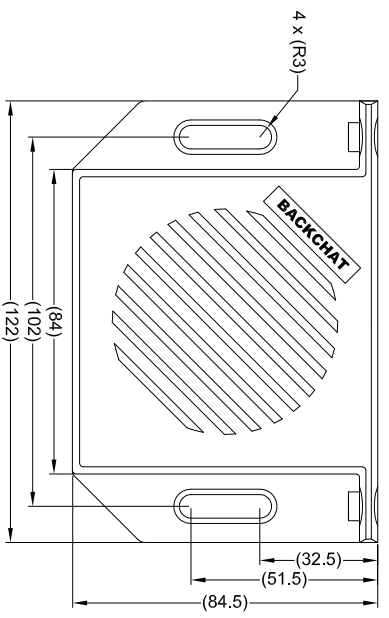
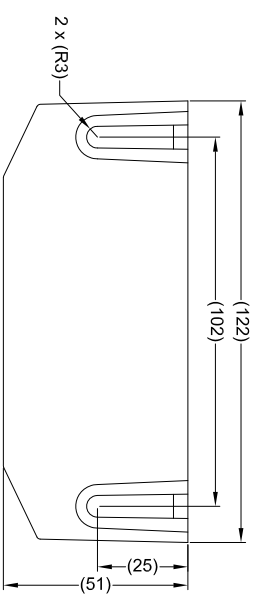


Revision Notes:	
Checked By: -	Approved By: -
Date Released: -	



SPECIFICATION

RATED VOLTAGE: 12 AND 24 VOLTS DIRECT CURRENT (WORKING VOLTAGE RANGE 10 THRU 30 VOLTS)
 RATED CURRENT: 0.5 AMPERES OR LESS
 SOUND PRESSURE: 90dB DECIBELS AT TEST VOLTAGE OF 14 AND 28 VOLTS
 CABLE THICKNESS: POWER CABLES 24/0.2MM
 MESSAGE CABLES 16/0.2MM
 MESSAGE(S): 1. 'RESPONSE CUSTOM MESSAGE'
 2. 'RESPONSE CUSTOM MESSAGE'
 3. 'RESPONSE CUSTOM MESSAGE'
 4. 'RESPONSE CUSTOM MESSAGE'
 5. 'RESPONSE CUSTOM MESSAGE'
 6. 'RESPONSE CUSTOM MESSAGE'
 7. 'RESPONSE CUSTOM MESSAGE'
 8. 'RESPONSE CUSTOM MESSAGE'
 MESSAGE LIBRARY NUMBER(S) ASSIGNED AFTER CONFIRMATION
 VOICE/ACCENT: DEPENDENT ON CUSTOM MESSAGE
 LANGUAGE: DEPENDENT ON CUSTOM MESSAGE

- NOTES:**
1. MATERIAL: ABS PLASTIC - ULTRA VIOLET STABILIZED
 2. FINISH: BLACK
 3. FOR PRODUCT LABEL REFER TO LATEST REVISION OF DRAWING BE-001404-XX-11.
 4. FOR GIFTBOX LABEL REFER TO LATEST REVISION OF DRAWING BE-002325-XX-13.
 5. FOR MANUFACTURE LABEL REFER TO LATEST REVISION OF DRAWING BE-001990-XX-12.
 6. 2 X M6 X25 BOLTS, 2 X M6 FLAT WASHERS & 2 X M6 NUTS ARE SUPPLIED IN A PRESS SEAL BAG IN THE BOX.
 7. POWER & MESSAGE CABLE LENGTHS ARE MEASURED FROM CABLE ENTRY POINT ON HOUSING.

PROPRIETARY NOTICE
 THIS DESIGN AND TECHNICAL INFORMATION APPEARING ON THIS DRAWING IS THE PROPERTY OF BRIGADE ELECTRONICS, AND IS DISCLOSED IN CONFIDENCE. IT IS NOT TO BE COPIED, REPRODUCED, REVEALED TO OR EXPLOITED BY OTHERS, EITHER IN WHOLE OR IN PART WITHOUT THE EXPRESS WRITTEN CONSENT OF BRIGADE ELECTRONICS.



Assembly PI Approval AH/EDLE (26/02/13)		Approved by S.MATTHEWS		Checked by G.P.L.H.		Drawn by M.BUTLER	
Angle of Projection 		Units mm	Scale N/A	Released 04/03/13	Assembly Ref BC-08		
Third Angle		Status RELEASED		Stock Code 1065		BC-08(B) BE-002339-00-13	